

Long Knife, 2nd half of 15th century



Main data

Category	hilted weapon - Saber
Keywords	sabre, Messer, long knife, war knife
Geographical origin	probably bohemian
Designation based on	stilistic
Date (whole objekt/hilt)	second half 15 century
Dating based on	stilistic
Dating by	C. Reinberger
Total length	1120 mm
blade length	910 mm
cross length	230 mm
grip length	180 mm
Weight	1223 g
Preservation	good - restored/conservated
Authorship of documentation	record by GEEhW
Verbal description	<p>A one handed Messer with a sabre like blade. The blade is singel-edged with a short edge on the back. The surface is blank polished but there are lots of points of corrosion, maybe from a modern restauration. The crossguard is straight, squared formed and rotaded by 45°. On the middle of the crossguard theres on the outside a parrying lug (Rüstnagel) and bents slightly over the handle.</p> <p>The grip is made of wood and was pushed over the tang. It is not in good condition. The End of the grip is a pommel cap.</p>

Measuring data

Date	03.11.2008
Place	Rothenburg ob der Tauber, Reichsstadtmuseum
Name	Reinberger, Wörösch, Schmitzer, Kern
Overall length	1120 mm
Quillon width	230 mm
Weight	1223 g
A: Feature of weapons outside	side guard
Balance point from quillon block	175 mm
description of bladeform and point (lateral view)	slight bend; sharpnes on one side with an short lenght on the backside
Distance measuring point 1	20 mm
Distance measuring point 2	179 mm
Distance measuring point 3	358 mm
Blade width at measuring point 1	33.3 mm
Blade width at measuring point 2	31.8 mm
Blade width at measuring point 3	27.2 mm
Blade width at quillon block	39 mm
Blade thickness at quillon block	6.4 mm
Blade thickness at 2/3	5 mm
Blade thickness at 1/3	3 mm
Blade thickness at beginning of the point	9 mm
Fullers (each side)	1
Fuller length	800 mm
Fuller width	8 mm
Fuller depth (approx.)	0.2 mm

Length of sabre blade	910 mm
Base point of rise from point	410 mm
Max. rise of blade curvature	48 mm
Length of back blade	207 mm
Quillon width	230 mm
Description of parrying-elements	One side guard with an fuller on the upside. Bend down on the end in the way of the hilt.
Breadth of parrying-elements	47 mm
Grip length	180 mm
Pommel length	12 mm
Pommel breadth	37.4 mm
Pommel thickness	19.9 mm
Preservation, damages, traces of use	The hilt is loosly fixed at the tang.
Anything else	The width of the crossguard tapered from the outside from 9,6 to 8,7 mm. It ends 8,0 mm before the middle of the crossguard. The height of the crossguard taperd from 10,8 mm to 8,6 mm. The fuller tapered from 8 mm to 6 mm at the end.
Handling	Because of the damaged hilt we were not able to test the weapon, but we think it is an very light and agile weapon to handle.

Mark/Inscription

Type	marks, moon, star
Position	blade, inside/reverse
Description	On the blade is a star and a sickle-shaped moon stamped.



Langes Messer - Gesamtansicht
(Johannes Schmitzer)



Detail: Kreuz und Rüstkopf Terzseite
(Johannes Schmitzer)



Detail: Rüstnagel in der Seitenansicht
(Johannes Schmitzer)



Detail: Rüstnagel Quartseite
(Johannes Schmnitzer)



Detail: Knaufkappe
(Johannes Schmitzer)

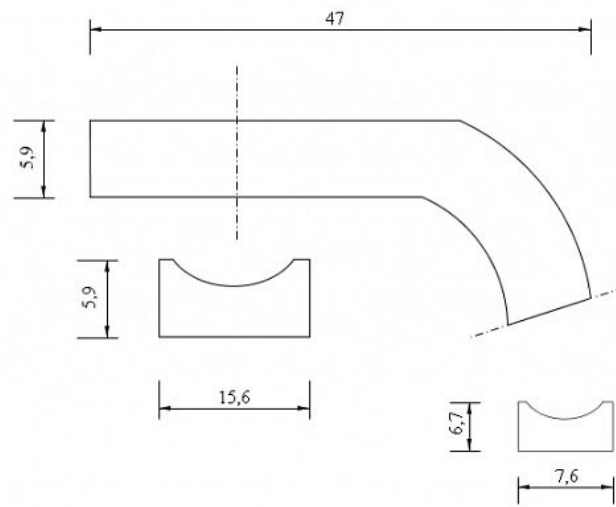


Detail: Ort
(Johannes Schmitzer)



Detail: Schmiedemarken
(Johannes Schmitzer)

Skizze Rüstnagel Langes Messer (großes Kriegsmesser)



Detail: Maße des Rüstnagels
(Christoph Reinberger)